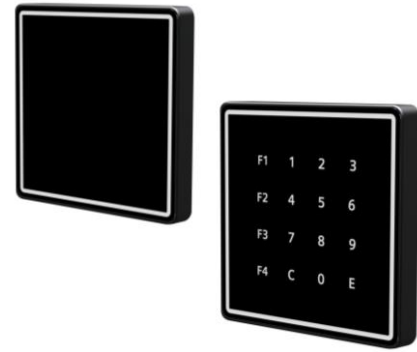


New reader generation XMP-TMC3050 & XMP-TMC3060



Dear Sirs,

We are glad to introduce our new card reader generation XMP-TMC3050 and XMP-TMC3060 which are designed for access control applications in combination with our management software XMP-BABYLON.



Both card readers have a SAM socket to fulfill the permanently growing security requirements of the market.

Via a serial interface (RS485) the card readers are connected to the door control units XMP-K12, -K12EX, -K32SX, -K32EX, -K32 or -CMM. The data communication is done by SecuCrypt® 2.0 protocol which is high-end encrypted.

Technical data:

- Frequency range 13,56 Mhz: MIFARE Classic®, MIFARE® DESFire® EV1 & EV2
- Encrypted data communication via AES256 or Blowfish: SecuCrypt® 2.0
- Custom key for data communication possible
- SAM socket for special security requirements
- Configurable buzzer for individual melodies
- LED frame with 4 different configurable sides (up to 16.777.217 colors)
- For each event (e.g. valid or invalid booking, reader blocked, write Access on Card data etc.) different melodies, color sequences etc. can be configured
- 4 function keys for individual project requirements (e.g. arming/disarming or IN/OUT booking)

Further technical information can be taken from the attached data sheet.

Order number	Description
 XMP-TMC3050	<i>MIFARE Classic®, MIFARE® DESFire® EV1 & EV2 card reader for connection to door controller (Color: black; protection class: IP54)</i>
 XMP-TMC3060	<i>MIFARE Classic®, MIFARE® DESFire® EV1 & EV2 card reader with PIN code and 4 function keys for connection to door controller (Color: black; protection class: IP54)</i>

Hint: Small quantities already available. Longer delivery time by bulk orders.

Accessory:

Order number	Description
XMP-TMC30-RF1	<i>Mounting frame (flush) for TMC30xx, black</i>
XMP-TMC30-RF2	<i>Mounting frame (surface) for TMC30xx, black</i>

For any further questions we are always at your disposal.

Best regards,

Your AUTECH - Team